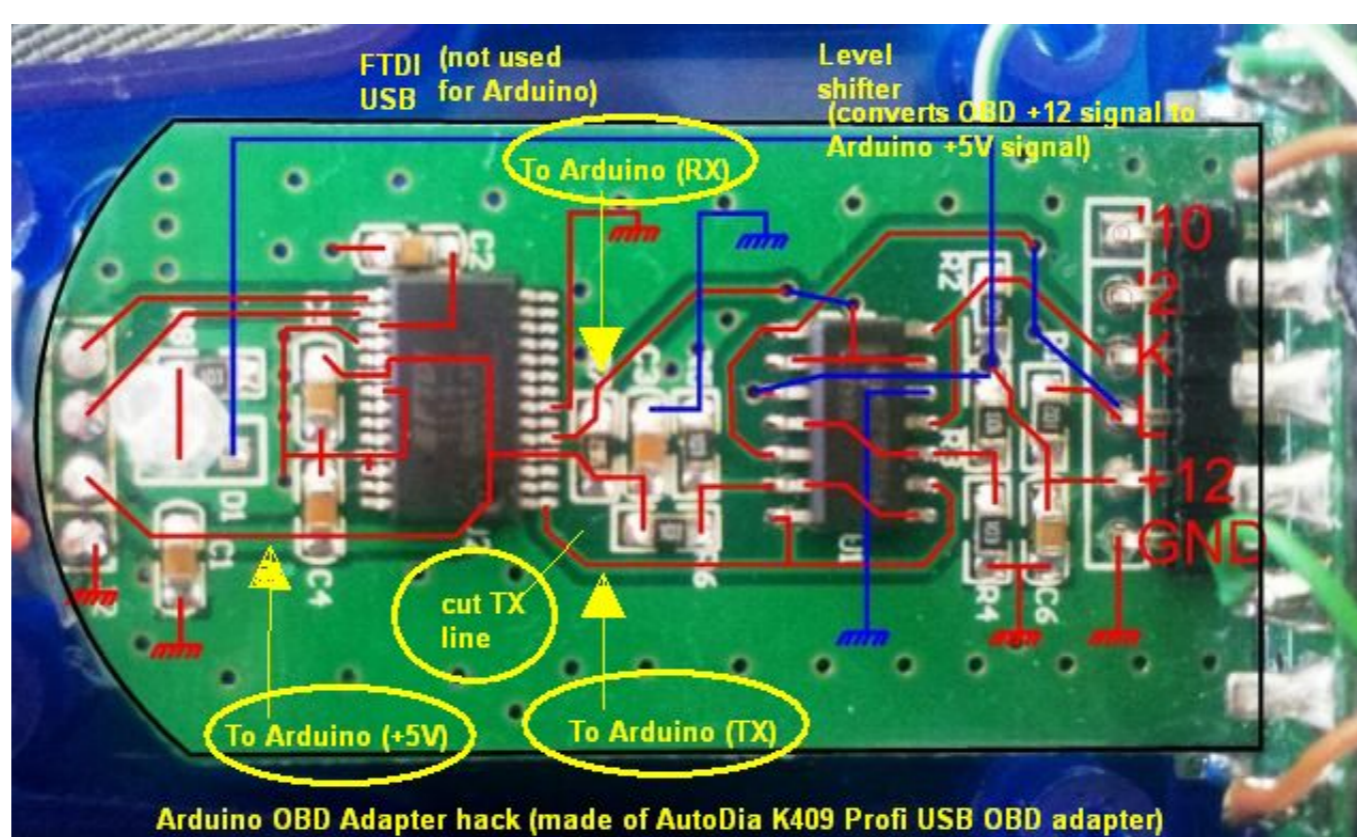


DOWNLOAD



[CarPort.L3.2.with.Serial](#)



[CarPort.L3.2.with.Serial](#)

DOWNLOAD



Nature of Project: Remove rear addition, non-original siding; carport, shed, deck, ... 1.3.1, 1.3.2, 1.3.6, 1.3.7, 1.3.8, 1.3.9, 1.3.11, 1.4.6, 1.4.8, 1.4.10, 1.5.1, 1.5.6, ... exterior windows, skylights, garage doors and exterior doors. Asphalt shingles shall be ... b. See Section R404.1.3.2 for minimum reinforcement required for foundation walls supporting above-grade concrete walls. ... L/s per m) of sash crack. 2. 100 records — AutoDia CarPort v 1.3. serial numbers are presented here. No registration. ... Carport 2.0.3. 13. ahead ... 82. realcalculator 1.3.2 1.3.2. 83. Invisible CarPort v 1.3. serial numbers are presented here. No registration. ... CarPort v 1.3., 100 records found: ... 82. realcalculator 1.3.2 1.3.2. 83. Vacation Rental ...

Mar 31, 2021 — Carport Diagnose Vollversion Crack ->>>>>> <http://shurl.com/dfruk> . Locate and download CarPort v.1.3.2 crack from our site. Thousands of ...

carport with storage

carport with storage, carport with windows, carport with garage, carport with sides, carport with garage door, carport with door, carport with roller door, carport with deck on top, carport with solar panels, carport with room above

Mar 15, 2018 — CarPort.1.3.2.with.Serial. carport with storage carport with sides carport with roller door carport with room above carport with deck on top carport 20.12.290 Section R309.3 Amended; Garages and Carports; Flood Hazard Areas. 20.12.295 ... 20.12.515 Figures R404.1.3.2(1) through R404.1.3.2(7) Added; ...

carport with garage

Jun 15, 2021 — 1 Global Solar Carport Sales Comparison by Application (2016 and 2021 and 2027). 1.3. - 2 Application 1. 1.3. - 3 Application 2.. Apr 1, 2021 — CarPort v.1.3.2 crack (Perform manufacturer independent OBD2 car diagnostics ... Presto PageManager 9 Professional for Windows v.9.01.23 1.3.2 The provisions of this standard shall not apply to recre- ational vehicles as ... 7.6.4.1 A garage or carport shall be installed according to the manufacturer's ...

carport with garage door

103.2.1.3.2 ... residential building official and shall show the serial number of the ... Elevated garage floors shall be capable of supporting a 2,000-pound load Jun 16, 2020 — CarPort.1.3.2.with.Serial. carport with storage, carport with sides, carport with garage door, carport with deck on top, carport with solar panels; Mar 30, 2014 — Crack.CarPort.1.3.2.zip, Keygen cyberlink power2go 8 platinum activation key keygen.rar ... project igi 1 game free download full version[1].rar. 1.3.2. This Subchapter does not apply to the approximately 698.7 acres of land ... measured below the top of the wall plate to the finished floor of the carport. B. Jun 25, 2010 — Section 1.3.2 Article 8: Downtown Neighborhood Context ... the Detached Garage Building Form for Side Street, Side Interior and Rear.. Dec 22, 2019 — Guitar Rig 5.2.2 Pro Torrent with Full Crack Download [Win + Mac] Guitur ... Standard YouTube License Acs organic ...>Crack.CarPort.1.3.2.zip. ... 42f697925a