

# Nail Clipper

Holder for people who have difficulties holding nail clippers



# Nail Clipper

## REVISION

v.1.0.0

## BY

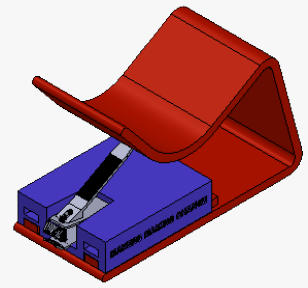
Makers Making Change

## DATE

February 21 2017

## MATERIAL

ABS, high strength PLA, or PETG



Scale 1 : 3

## 3D Print Settings

### INFILL DENSITY

50%

### LAYER HEIGHT

0.3mm

### RAFT

No

### SUPPORT

Yes\*

### NOTES

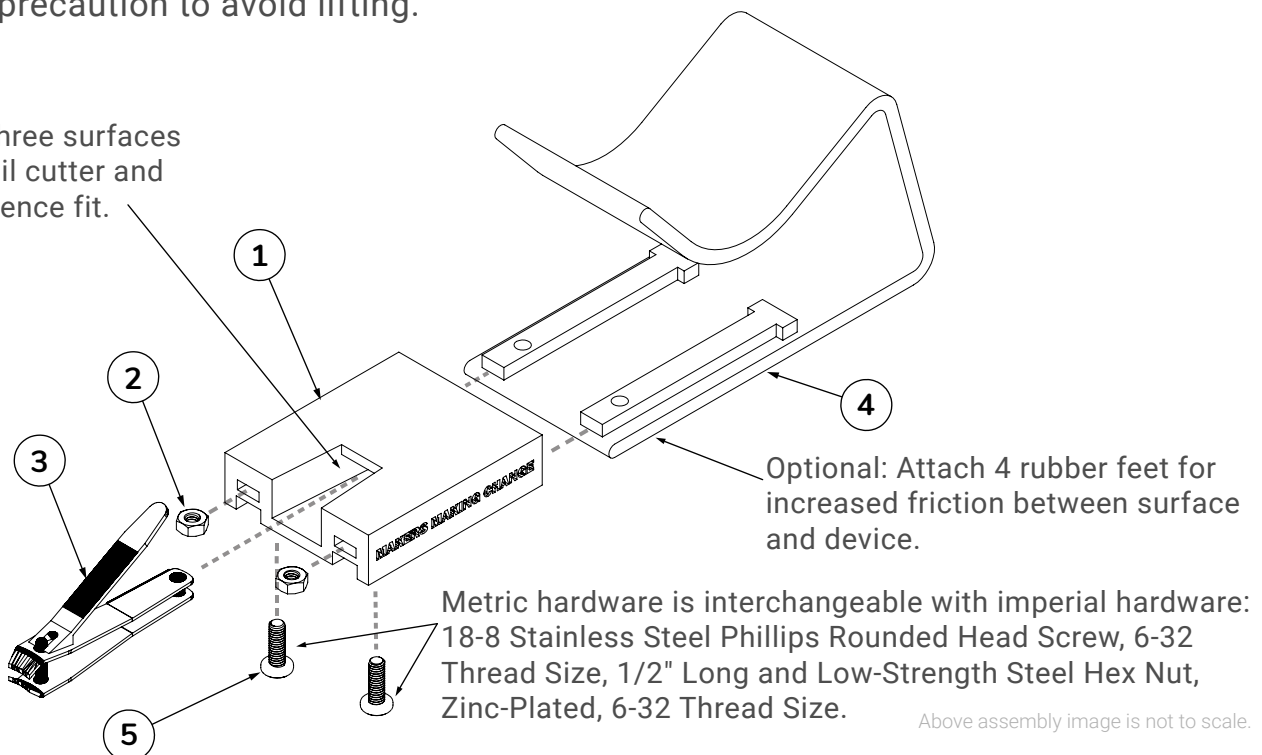
\* Supports only for the force applicator.

Print both parts at the same time to ensure proper mating. Force Applicator requires extra precaution to avoid lifting.

### COMPONENTS

ITEM NO.	DESCRIPTION	QTY.
1	Clipper Holder	1
2	Steel Hex Nut, Medium-Strength, Class 8, M4 x 0.7 mm Thread	2
3	Nail Clipper	1
4	Force Applicator	1
4	18-8 Stainless Steel Phillips Rounded Head Screws, M4 x 0.7 mm Thread, 12 mm Long	2

Attach foam on three surfaces to cushion the nail cutter and create an interference fit.



Above assembly image is not to scale.