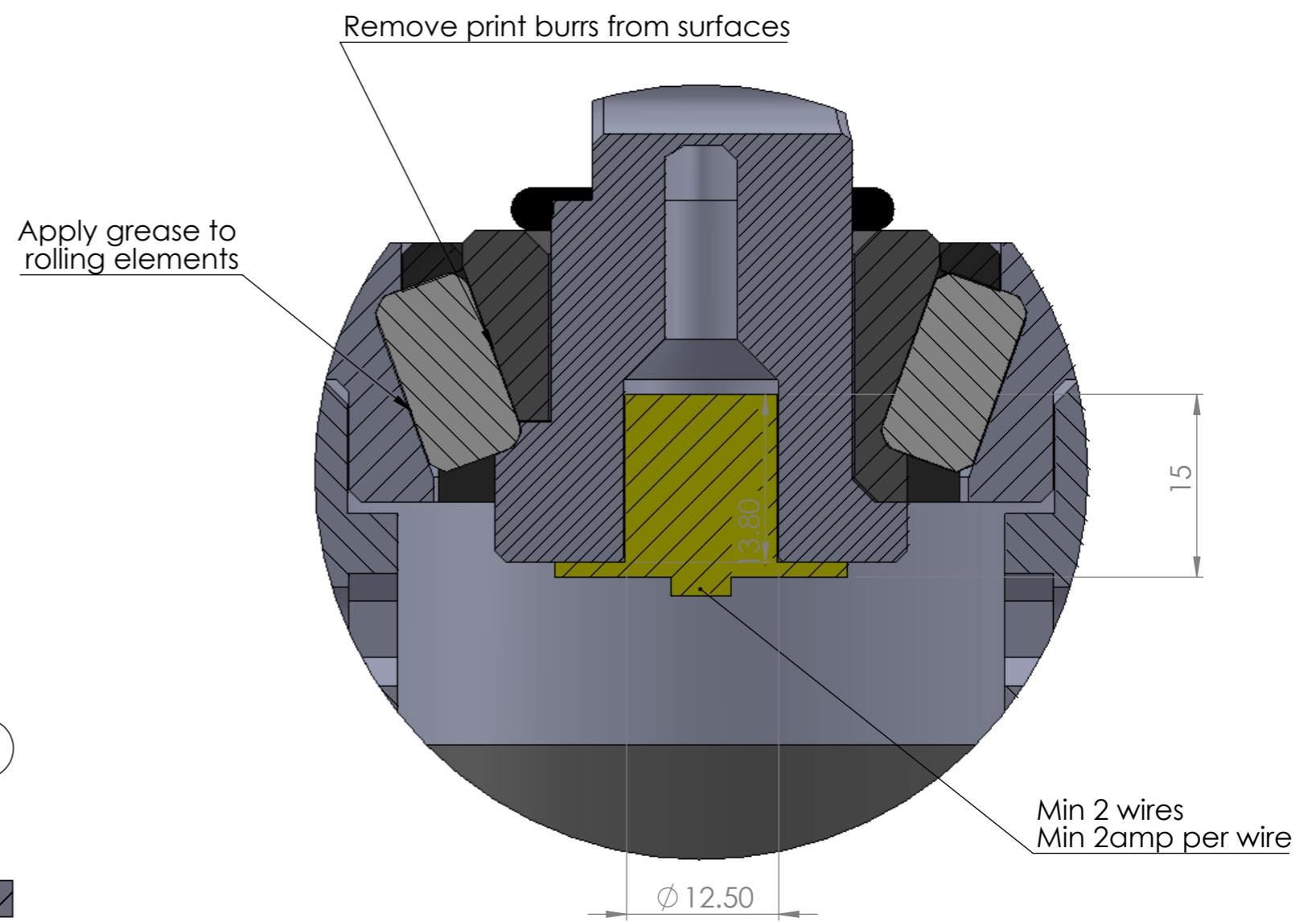
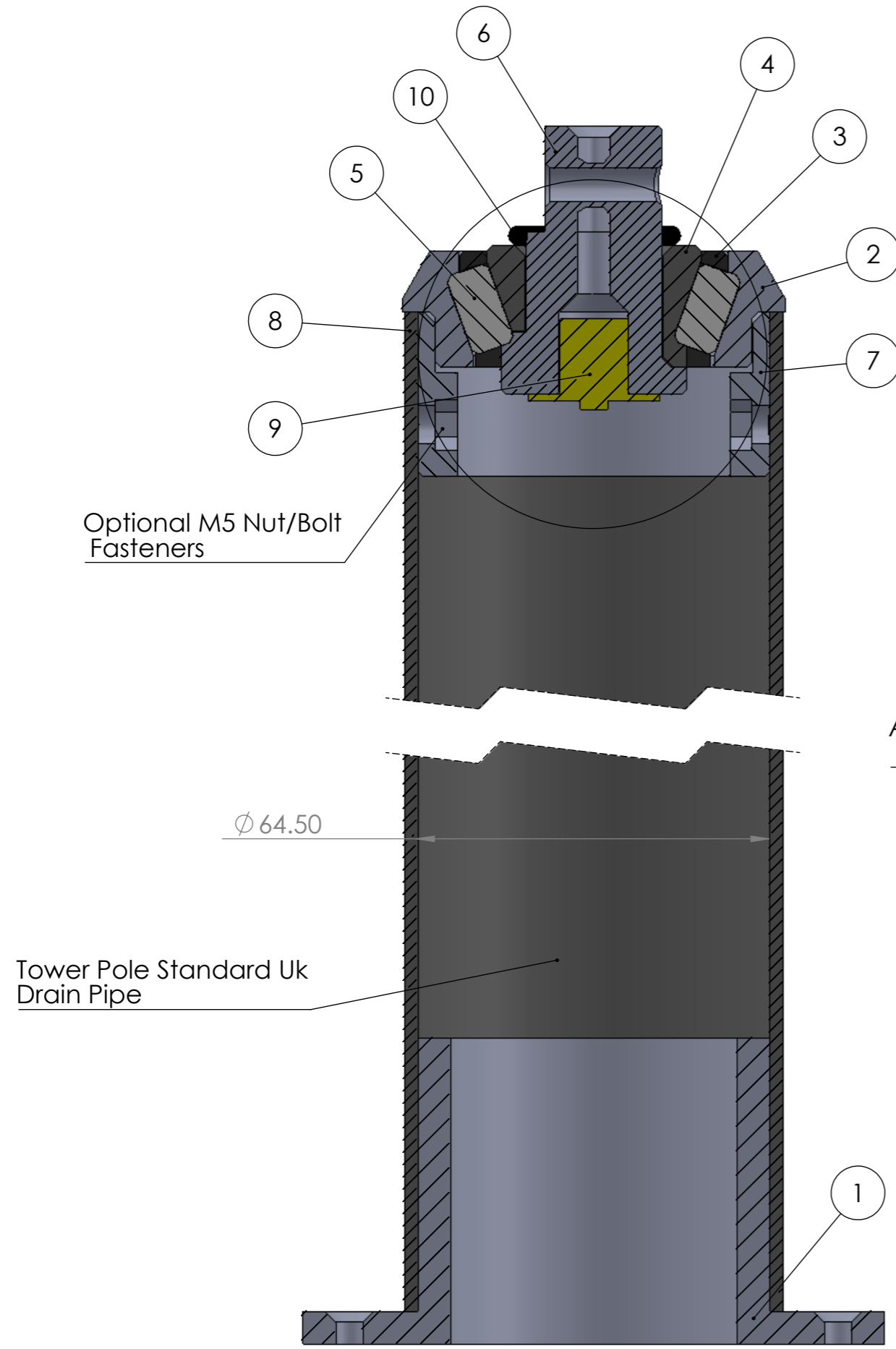


# AS\_1000\_02 Tower Assembly

ITEM NO.	PART NUMBER	QTY.
1	PP_1001_01 Tower Footer	1
2	PP_1007_01 Outer Race	1
3	PP_1004_01 Cage	1
4	PP_1005_01 Inner Race	1
5	PP_1008_01 Roller	8
6	PP_1009_01 Tower Shaft	1
7	PP_1006_01 Outer Race Sleeve	1
8	SP_1005_01 Tower Pole	1
9	SP_1006_01 Slip Ring	1
10	SP_1009_01 R18 O-Ring	1

Part Number	I/D	Section
SP_1009_01 R18 O-Ring	22mm	3.5mm



DETAIL C  
SCALE 2 : 1