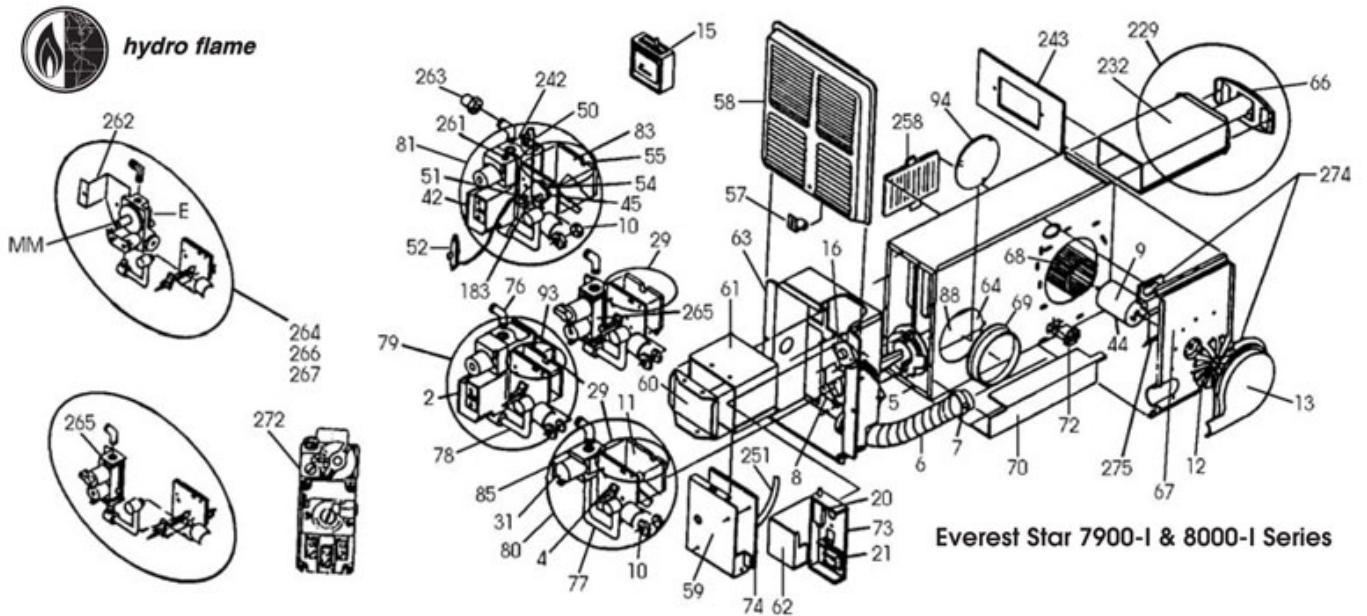




DOWNLOAD

[Hydro Flame Repair Manual](#)



[Hydro Flame Repair Manual](#)



DOWNLOAD

[LATEST UPDATE: 29 seconds ago]

Visually inspect all accessible parts for damage . a . . . Cut sealant at mating flanges of tachometer generator and quill , hydraulic pumps and quill ... Do not use transmission procedure . open flame to to heat case during removal (2) Hydro 79/80, 85, 89 Series Flame Furnace Service Manual.. Rampart Supply Inc. Boiler Repair & Cleaning Boilers Equipment, Parts & Supplies ... Ran the boiler (3-zone hydro-air system) and noted it took forever to get any water ... F09 This code will occur if the Munchkin control does not detect a flame.. Refer to your user's manual, to see where the thermocouple is set. If it is out of position, the pilot flame will typically not light and the furnace cannot heat the space.. Feb 23, 2021 — If someone can tell me if hydro flame has a troubleshooting web site I ... the blower wheels, and malfunctions involving individual moving parts.

We also have spa covers, hot tub covers and a complete line of spa accessories to make your backyard a home resort. Fast Shipping on Genuine CalSpas Parts Products 1 - 12 of 25 — Atwood / Hydro Flame EXPLODED PARTS VIEWS. Parts Links In Blue / If In Black Then Part Is Special Order / If In Red Obsolete & No Longer ...

hydro flame 8531-ii repair manual

hydro flame 8531-ii repair manual

Items 1 - 12 of 26 — RV Water Heater Repair Parts for sale Dometic™ (Hydroflame) 8516-IV RV Propane Heater / Furnace - 16K Parts Breakdown This is a parts The 2015 edition of the Atwood Furnace Service Manual is a resource ... The hydro flame thermostat is equipped with a heat anticipator which allows one to RV DSI Furnace. The following descriptions are based on the Hydro Flame 8500 series furnaces, but the operating principles are similar for other manufacturers.. THIS INSTRUCTION MANUAL IS FOR USE BY AN AUTHORIZED SERVICE. TECHNICIAN TO INSTALL AN ATWOOD. : INSTALLER. LEAVE THIS MANUAL ...

Aug 30, 2020 — 1972 Hydroflame furnace operation - posted in Alaskan Camper Discussions: Can someone ... Maintenance and Service Manual page 1:.. Item 1 - 82 of 82 — Atwood RV Water Heater Parts for sale | PPL Motor Homes Atwood / HydroFlame Furnace 2 Inch Duct Adapter 36688. OUR COMPLETE PARTS ...

atwood furnace manual, Atwood Hydro Flame Furnace, Users Information Manual ... Atwood Furnace Wiring - Pdf finepix S5200 S5600 Service Manual Ebook Oct 4, 2018 — Atwood 36998 hydro flame furnace electrode dual sense rv parts see more like this 30230 atwood hydroflame furnace wiring harness kit 7980 rv Atwood Mobile Products 7916-II Furnace User Manual. Hydro-Flame-Service-Manuals.pdf - The RV Repair Manual. Atwood 8535-iv-dclp Wiring Diagram.. Some common reasons why the Hydro Flame furnace in your RV isn't working ... dirt inside the blower wheels, and malfunctions involving individual moving parts.. Results 1 - 50 of 82 — Cummins Onan genuine Green Label Parts are tested and designed ... Thetford, Dometic, A&E, Atwood Hydro Flame, Suburban, Sealand, ... f7cce99973

[VIPBox Green Bay Packers vs Tennessee Titans Streaming Online Link 2](#)

[Chico en los calzones morados humedos. Sexy Hot-Model-30-009 @iMGSRC.RU](#)

[Reunion Vs Macfamilytree Vs Ifamily Vs Family Tree Maker For Mac](#)

[Final Cut Pro X 10.5 Crack Download 2020 With Full Keygen](#)

[Party girls. 102567857 @iMGSRC.RU](#)

[49 Days Film Free Download](#)

[Boys in beach 2019 7. ax005 @iMGSRC.RU](#)

[Sweet 1. 12 @iMGSRC.RU](#)

[I azzIIh](#)

[Strong backs. strongbacks03- 07 @iMGSRC.RU](#)