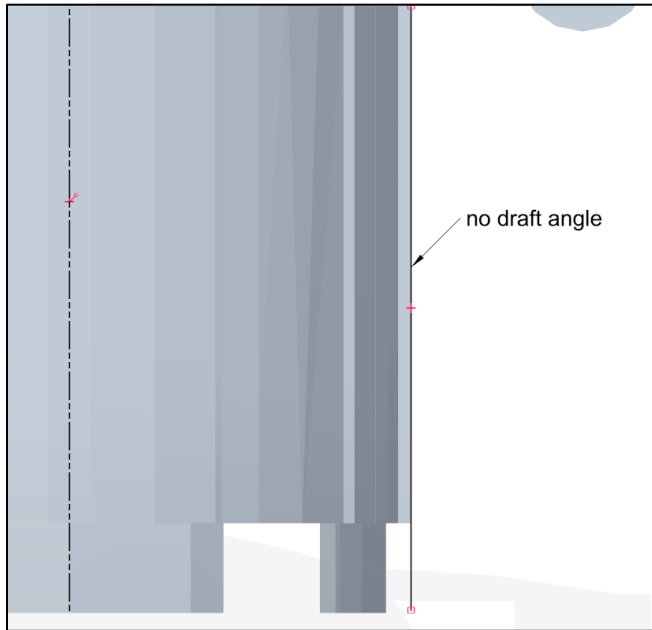
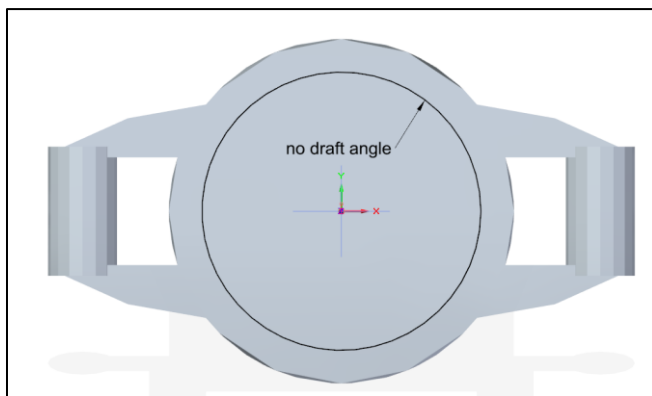


Your model has no draft-angle on the outside :



And no draft-angle inside:



The original Lego-part has the following draft-angles: inside = 0.8deg / outside = 0.2deg

