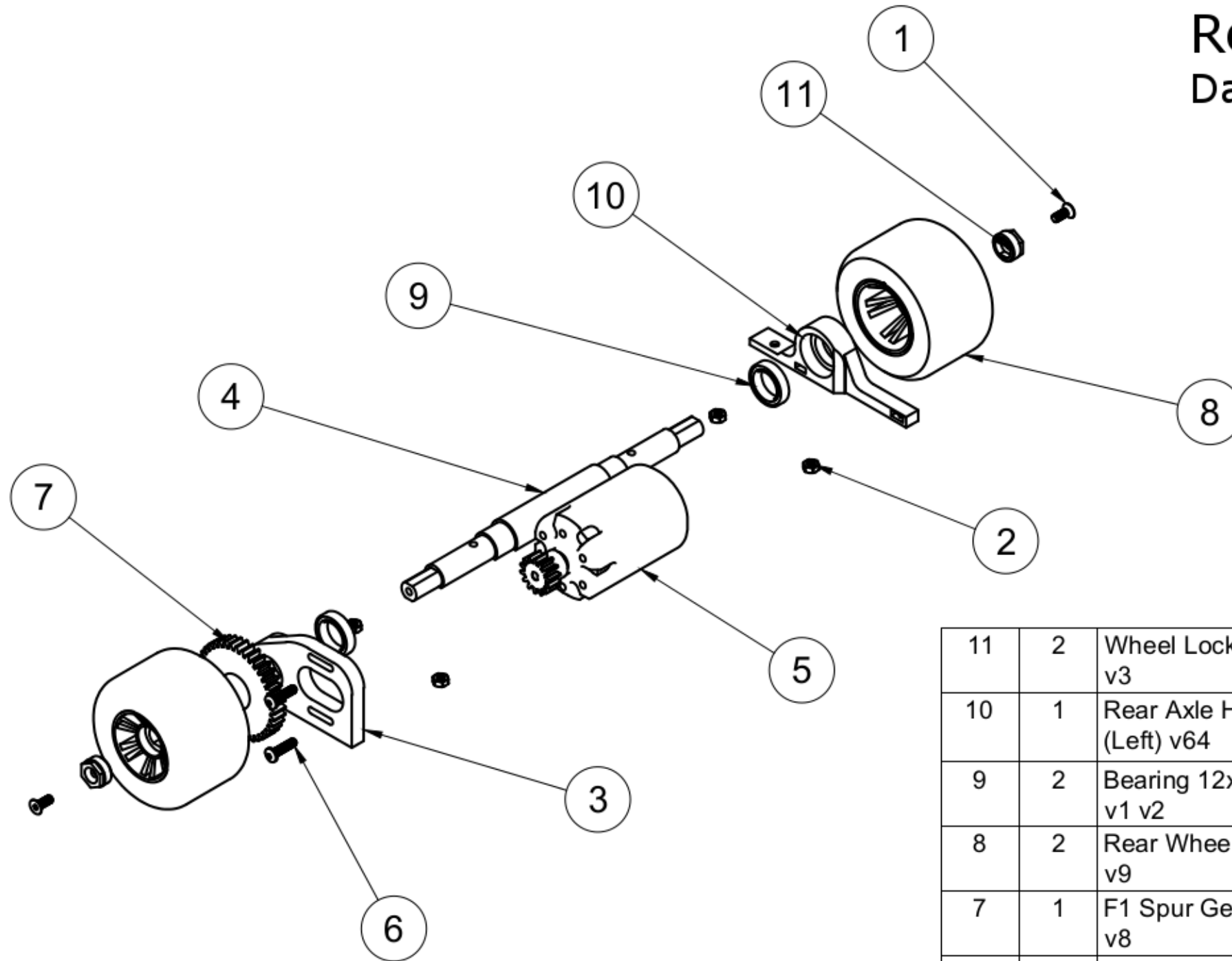


Rear Axle Assembly

Daniel Norée 2015



11	2	Wheel Lock Nut v3 v3		Plastic
10	1	Rear Axle Holder (Left) v64		Plastic
9	2	Bearing 12x18x4 v1 v2		Steel
8	2	Rear Wheel Assy v9		
7	1	F1 Spur Gear v3 v8		Plastic
6	2	HSC FZB M3x12 v1		Steel
5	1	Motor & Gear Assy v12		
4	1	Rear Axle v6		Plastic
3	1	Rear Axle Holder (Right) v38		Plastic
2	4	M6M DIN 934 M3 v2		Steel
1	2	MF6S 8.8 FZB M3X8 v1 v1		Steel
Item	Qty	Part Number	Description	Material
Parts List				

OpenR/C F1