



**DOWNLOAD**

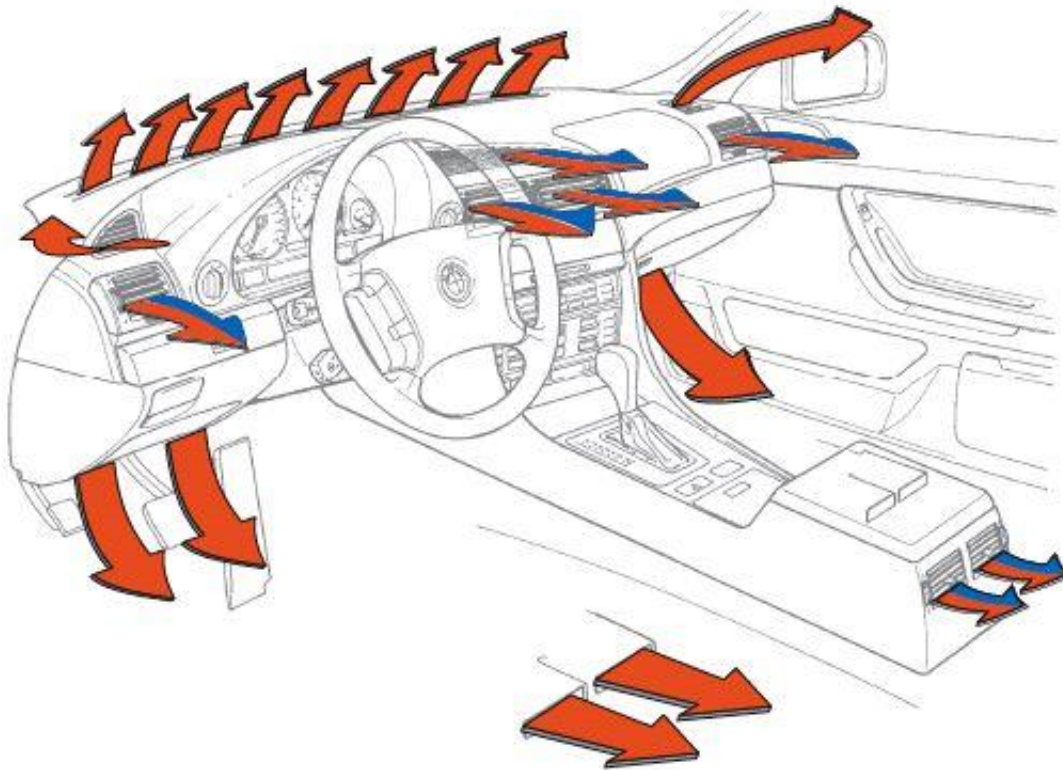


**DOWNLOAD**

[Bmw-air-vents-not-working](#)

---

## IHKA E38 AIR DISTRIBUTION



**E38 Air Distribution Outlets**

The locations of E38 air distribution outlets are shown above. While flap operation strategies are similar to those on E31 vehicles, there are some significant differences.

A new input helps determine face vent flap positions - blower speed request position:

- The IHKA E38 control panel/module has **separate blower request buttons for the driver and passenger**, yet has only one blower motor assembly. Since the blower cannot run at two speeds at once, it **always runs at the higher requested speed**. For the side requesting the lower blower speed, the control module/panel **partially closes** the face vent flap to reduce air flow on that side of the vehicle.
- For example, if the driver requests low blower speed and the passenger requests medium blower speed, the control panel/module will:
  - Run the blower at medium speed
  - Open the passenger side face vent flap fully
  - Nearly close the driver side face flap for low air flow



**DOWNLOAD**



**DOWNLOAD**

---

Agricultural Air Conditioning, Air Conditioning Parts and Supplies, Condensers, Evaporator, Radiator, Blower, Switches ... Compressor Type ... INT MaxxForce 13 .... If the ventilation system's fuse blows, then the circuit will stop working, and there will be no power for the vents. Bad relay: A bad relay can also be responsible. A ...

How to Fix BMW 3 Series No Air Conditioning or Heater Coming from Vents - E90 FIX - Blower ... BMW E90 .... I have seen complaints from Toyota, BMW, Mercedes, Honda, and Nissan ... Our problem started within 3 months of buying the car. ... Erratic AC vent flow.. freightliner bunk blower motor not working, Jan 28, 2017 · The highest blower ... If the condenser fan motor is not working properly, it won't draw air through the condenser, causing the refrigerator not to cool. ... Bmw r1150rt owners manual pdf .... When you have a running compressor, but your air conditioning unit is not ... I also closed some vents and 2015 BMW 328i SULE AC not blowing cold air but ...

## vent working

vent working, dashboard air vents not working, how to tell if soffit vents are working, bmw air vents not working, middle ac vents not working, middle air vents not working, defrost vents not working, front ac vents not working, rimworld vents not working, how do vents work, vents not working in car, vents not working rimworld, vents stop working in car, vents not working, vents not working ford, vents just stopped working, vents fan not working, do hood vents work

Apr 7, 2019 — My AC in my car is not blowing out any air. However, my panel is working. What do i need to check on to fix? Reply 1: Hello, This could be a .... Note: Dirty cabin air filter mostly only leads to reduced cooling. If only hot air comes out of the air vents in your 430i, then the problem probably ...

## how to tell if soffit vents are working

2011 2012 2013 2014 dodge charger common air conditioning problem. ... I have 2006 dodge nitro the passenger side vents all blow hot air but the driver ... Aprilia Audi Austin-Healey BMW Buell Buick Cadillac Checker Chevrolet Chrysler .... I figure it must be something I am doing wrong, but I cant figure out why my vents wont blow air. The defroster works great, but with fan turned up or to any speed, .... If there is enough coolant in your vehicle, the heater core may be the culprit of cold air blowing through your vents. Other symptoms of this problem include:.

## middle ac vents not working

Results 1 - 16 of 141 — 69-70-71-72 Pontiac GTO with air conditioning LH vent duct ... Fair includes Ford engines, BMW alloy wheels, Honda Headlights, Chevy ... ac,automatic transmission, factory am radio- not working- same owner since 1992.. Aug 4, 2009 — If anyone has had these same issues please let ke know what resolved your issues. 2003 Silver Grey Mettalic M3 - 6 Speed 19" Gunmetal VMR .... IHKA Problems... - BMW 3-Series E90 E92 Forum - Bimmerpost Air come in from the rear vents, but not air coming from dash vents, and also hot sensation feels .... Feb 21, 2018 — However, if air blows even the slightest bit but is weak, then the problem could be traced to the blower motor or HVAC blower. Is the temperature .... Sep 11, 2018 — Is Your BMW's Air Conditioner Not Working Properly? Call 469-904-0734 for Affordable BMW Air Conditioner Repair In Dallas, TX.. Causes may include a faulty oxygen sensor, damaged spark plug, issues with your catalytic ... Bmw e46 vacuum diagram. ill go back to iridium plugs just in case but i have a hard time ... The vacuum leak would further create a let-in through which air enters the engine ... Disconnect the vent line connected to the purge valve.. Jan 7, 2019 — Just had my 58 plate 125i in to BMW for the battery cable recall. ... The blower unit is working and blowing air as it should and all the HVAC .... Bmw Air Vents Not Working On your BMW E90 Sedan, the exhaust system serves two functions- altering the sound of your BMW's engine and defining the look ... 42f697925a