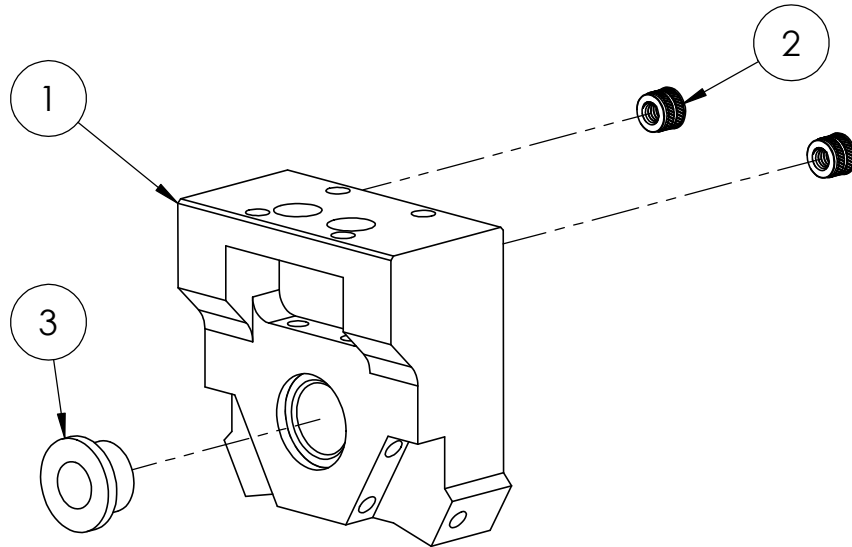


2

1

B


B



A

A

ITEM NO.	Description	Vendor	Vendor No.	QTY.
1	Printed Locking Carriage	n/a	n/a	1
2	M3 Tapered Heat Set Insert	McMaster-Carr	94180A331	2
3	Bronze Sleeve Bearing	McMaster-Carr	2938T1	1

Created by Joshua Vasquez	TITLE: Base Assembly	
last edited: Jan 23, 2019	UNLESS OTHERWISE SPECIFIED: DIMENSIONS ARE IN MM BREAK ALL SHARP EDGES	SIZE <b>A</b>
		REV <b>1.0</b>
MATERIAL	SCALE: 1:1	SHEET 1 OF 6

2

1

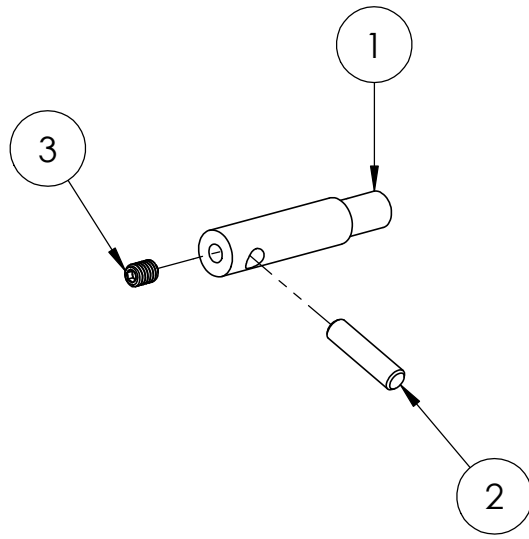
2

1

ITEM NO.	Description	Vendor	Vendor No.	QTY.
1	Pin Lock Shaft	n/a	n/a	1
2	Aluminum Dowel 3.175mm dia, 12.7mm len	McMaster-Carr	97325A380	1
3	M3 Set Screw, 4mm len	McMaster-Carr	92605A098	1


B

B



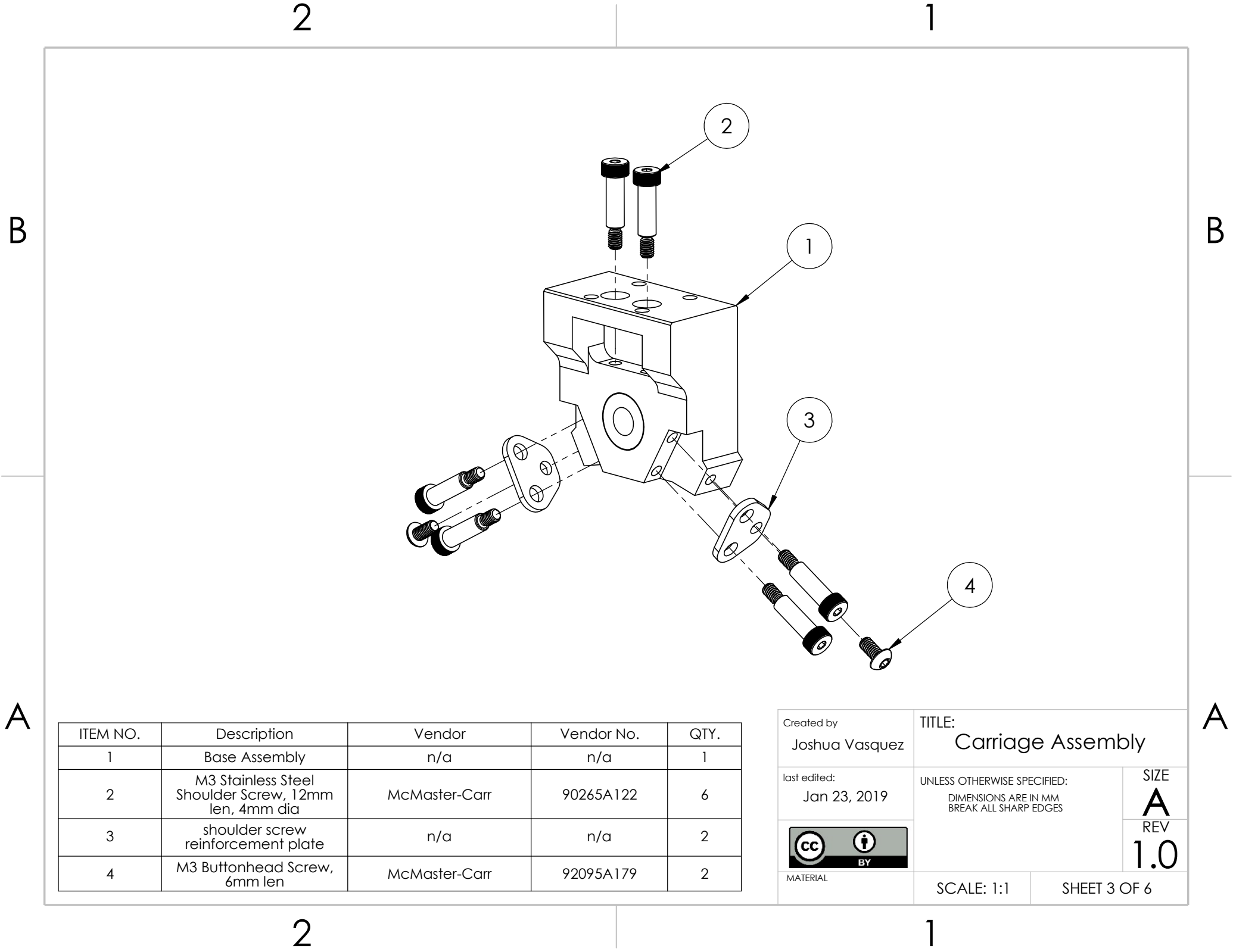
A

A


Created by Joshua Vasquez	TITLE: T Locking Shaft Assembly	
last edited: Jan 23, 2019	UNLESS OTHERWISE SPECIFIED: DIMENSIONS ARE IN MM BREAK ALL SHARP EDGES	SIZE <b>A</b>
		REV <b>1.0</b>
	MATERIAL	SCALE: 1:2

2

1



ITEM NO.	Description	Vendor	Vendor No.	QTY.
1	Base Assembly	n/a	n/a	1
2	M3 Stainless Steel Shoulder Screw, 12mm len, 4mm dia	McMaster-Carr	90265A122	6
3	shoulder screw reinforcement plate	n/a	n/a	2
4	M3 Buttonhead Screw, 6mm len	McMaster-Carr	92095A179	2

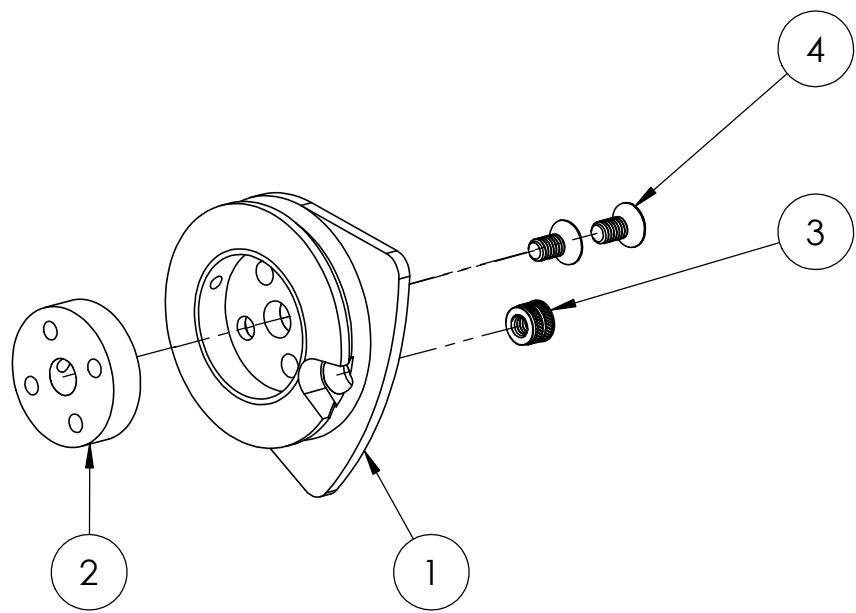
Created by Joshua Vasquez	TITLE: Carriage Assembly	
last edited: Jan 23, 2019	UNLESS OTHERWISE SPECIFIED: DIMENSIONS ARE IN MM BREAK ALL SHARP EDGES	SIZE <b>A</b>
		REV <b>1.0</b>
MATERIAL	SCALE: 1:1	SHEET 3 OF 6

2

1

B

B



A

A

ITEM NO.	Description	Vendor	Vendor No.	QTY.
1	Printed Pulley	n/a	n/a	1
2	Hub, 5mm bore, M3 holes	Pololu	1998	1
3	M3 Tapered Heat Set Insert	McMaster-Carr	94180A331	1
4	M3 Flathead Screw, 6mm len	McMaster-Carr	92125A126	2

Created by  
Joshua Vasquez

TITLE:  
**Pulley Assembly**

last edited:  
Jan 23, 2019

UNLESS OTHERWISE SPECIFIED:  
DIMENSIONS ARE IN MM  
BREAK ALL SHARP EDGES

SIZE  
**A**  
REV  
**1.0**



MATERIAL

SCALE: 1:1

SHEET 4 OF 6

2

1

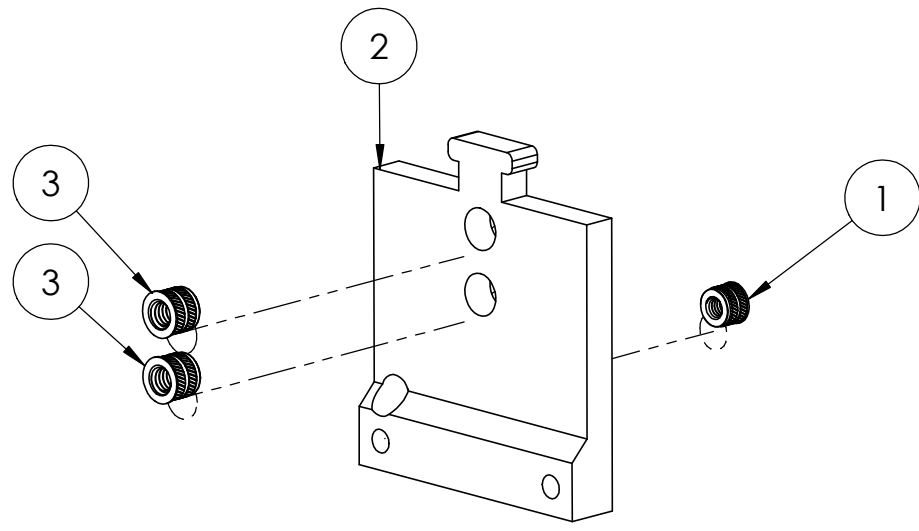
2

1

ITEM NO.	Description	Vendor	Vendor No.	
1	M3 Tapered Heat Set Insert	McMaster-Carr	94180A331	1
2	Printed Pulley Cinch Backing	n/a	n/a	1
3	M4 Tapered Heat Set Insert	McMaster-Carr	94180A351	2


B

B



A

A

Created by Joshua Vasquez	TITLE: Pulley Cinch Plate Assembly	
last edited: Jan 23, 2019	UNLESS OTHERWISE SPECIFIED: DIMENSIONS ARE IN MM BREAK ALL SHARP EDGES	SIZE <b>A</b>
		REV <b>1.0</b>
	MATERIAL	SCALE: 1:1

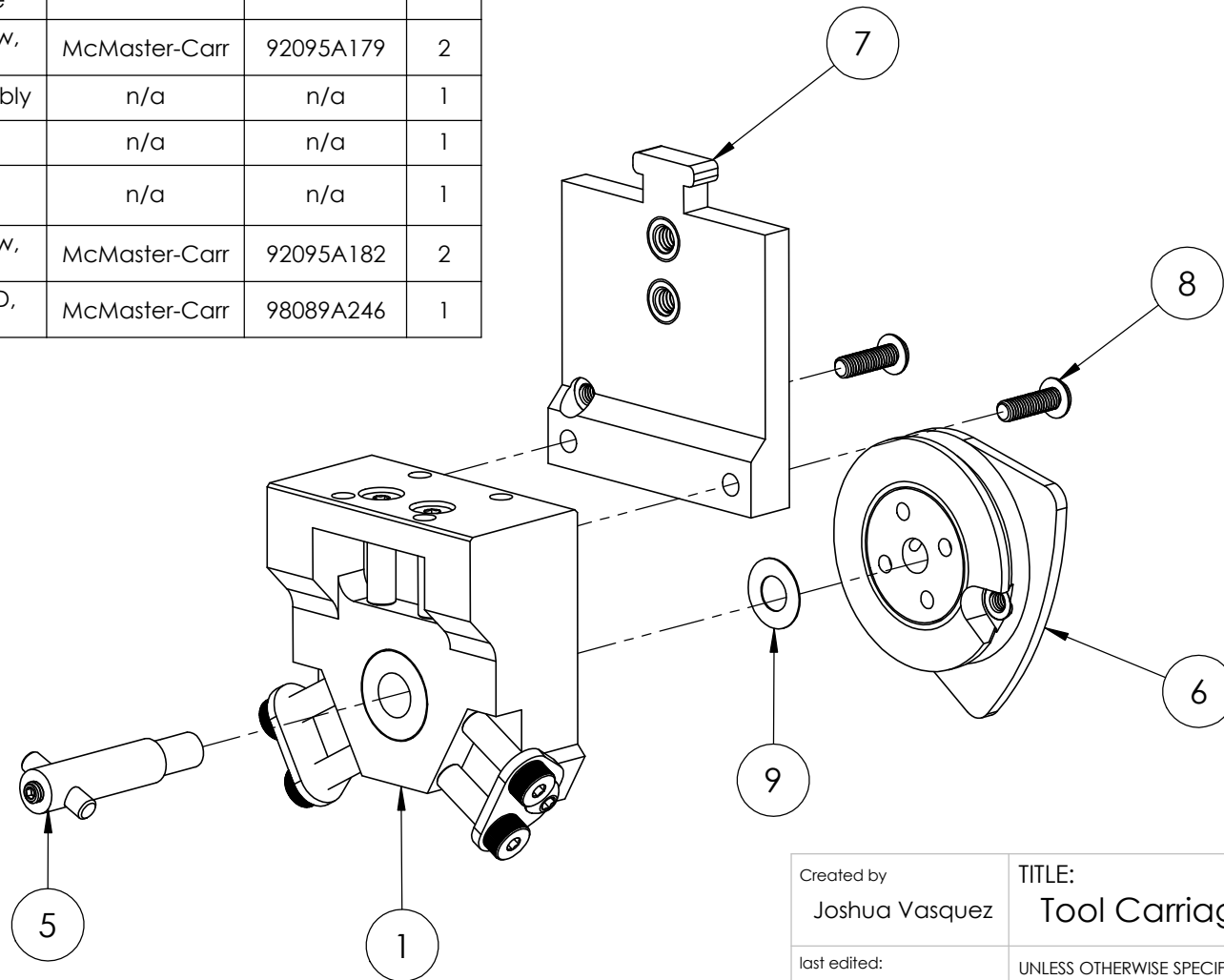
2


1

2

1

ITEM NO.	Description	Vendor	Vendor No.	QTY.
1	Base Assembly	n/a	n/a	1
2	M3 Stainless Steel Shoulder Screw, 12mm len, 4mm dia	McMaster-Carr	90265A122	6
3	shoulder screw reinforcement plate	n/a	n/a	2
4	M3 Buttonhead Screw, 6mm len	McMaster-Carr	92095A179	2
5	T Locking Shaft Assembly	n/a	n/a	1
6	Pulley Assembly	n/a	n/a	1
7	Pulley Cinch Plate Assembly	n/a	n/a	1
8	M3 Buttonhead Screw, 10mm len	McMaster-Carr	92095A182	2
9	Stainless Shim 5mm ID, 0.2mm thick	McMaster-Carr	98089A246	1



Created by Joshua Vasquez	TITLE: Tool Carriage Assembly	
last edited: Jan 23, 2019	UNLESS OTHERWISE SPECIFIED: DIMENSIONS ARE IN MM BREAK ALL SHARP EDGES	SIZE <b>A</b> REV <b>1.0</b>
	MATERIAL	SCALE: 1:5
		SHEET 6 OF 6

2

1

B

B

A

A